

Thanks to LED modules, the K-Lit range is best adapted to large-scale projects, while guaranteeing perfect light diffusion.



OUR COMMITMENTS



21 day lead time from validation of technical drawings to delivery



IP 65



Up to 5 years guarantee

K-LIT ALUM



Ideal for large signs



Illuminated face in acrylic or vinyl (3M or Avery)

K-LIT BOX



Light box or flag sign



Mounting structure customizable to your needs

K-LIT STAINLESS



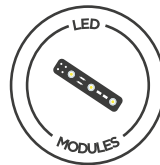
Mirror polished



Several colors available



K-LIT ALUM



K-LIT BOX

K-LIT STAINLESS



SPECIFICATIONS

PRODUCT SPECIFICATION

Materials: Aluminium / Métal

Paint: RAL or Pantone

Vinyl: 3M 3630 or Avery Dennison 4500TF

Mounting: Tiges filetées / Entretoise / Snap System / Easy-fix

Voltage: 12 V

Production: Composants certifiés CE

Protection rating: IP 65

Sign resistance: De -10 à 50

Fire class certification: PMMA certificate (M4)

LED SPECIFICATION

Brightness: Up to 2500 cd/m²

Flux LUM de la source LED : 45 Lumen

Efficacité du produit fini : 140 Lumen/watt

Power consumption per LED (white): 0.1 Watt

Life span: 85% to 10,000 hours

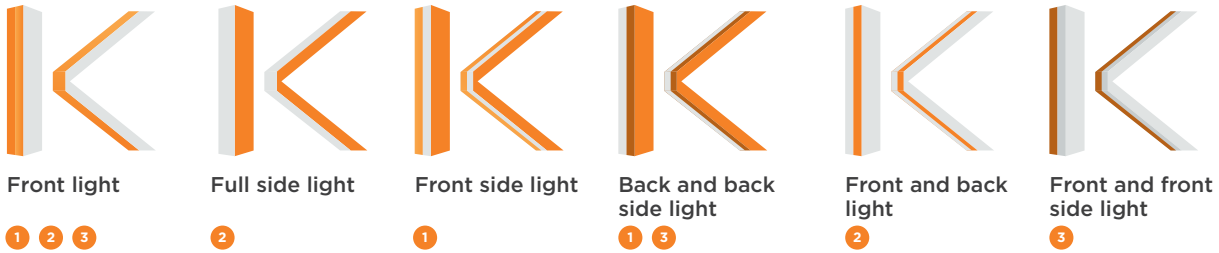
LED color specified: Yes

Dimmable: Yes

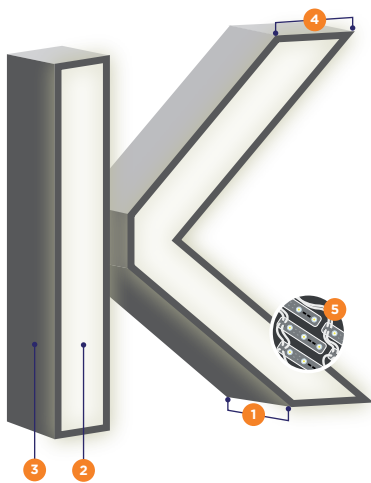
Installation of replacement letters: Yes

DIFFERENT LIGHTING EFFECTS

1 K-LIT ALUM 2 K-LIT BOX 3 K-LIT STAINLESS

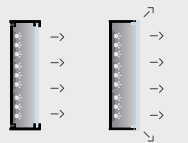


TECHNICAL DRAWING



- 1 From 60 to 120mm thick
- 2 Illuminated face (acrylic) with vinyl or painted (RAL® or PANTONE®)
- 3 Painted returns (RAL® or PANTONE®)
- 4 20mm stroke is the minimum required to fit an LED module
- 5 LED modules are fixed inside the sign

OPTION
WITH OR WITHOUT
TRIM CAP



OPTION
WALL-MOUNTED OR
SURFACE MOUNTED



- 1 1 or 3 mm stainless steel
- 2 Illuminated surface in

OPTION

STAINLESS STEEL #304

Requires little or no maintenance, but must be installed in a healthy environment. It is therefore recommended to avoid industrial zones, coastal areas, chemical-laden atmospheres, etc.

STAINLESS STEEL #316

Its molybdenum content (2%) makes it harder and more resistant to polluted, chlorinated and iodized atmospheres. Ideal for marine environments



OPTION BRASS

For exceptional projects, we can also create your brass signs.

THE KALISIGN SPIRIT

Tailor-made personalized solutions with a wide choice of:

- + Brass and Stainless steel
- + PT® and Respect® acrylics
- + RAL® and Pantone® paint
- + Vinyls from the 3M® 3630 and Avery Dennison® 4500TF



Please note: vinyl only fits on the front and back of the sign.