

Thanks to LED modules, the K-Lit range is best adapted to large-scale projects, while guaranteeing perfect light diffusion.



OUR COMMITMENTS



21 day lead time from validation of technical drawings to delivery



IP 65



Up to 5 years guarantee

K-LIT ALUM



Ideal for large signs



Illuminated face in acrylic or vinyl (3M or Avery)

K-LIT BOX



Light box or flag sign



Mounting structure customizable to your needs

K-LIT STAINLESS



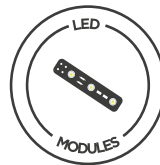
Mirror polished



Several colors available



K-LIT ALUM



K-LIT BOX

K-LIT STAINLESS



SPECIFICATIONS

PRODUCT SPECIFICATION

Materials: Aluminium / Métal

Paint: RAL or Pantone

Vinyl: 3M 3630 or Avery Dennison 4500TF

Mounting: Tiges filetées / Entretoise / Snap System / Easy-fix

Voltage: 12 V

Production: Composants certifiés CE

Protection rating: IP 65

Sign resistance: De -10 à 50

Fire class certification: PMMA certificate (M4)

LED SPECIFICATION

Brightness: Up to 2500 cd/m²

Flux LUM de la source LED : 45 Lumen

Efficacité du produit fini : 140 Lumen/watt

Power consumption per LED (white): 0.1 Watt

Life span: 85% to 10,000 hours

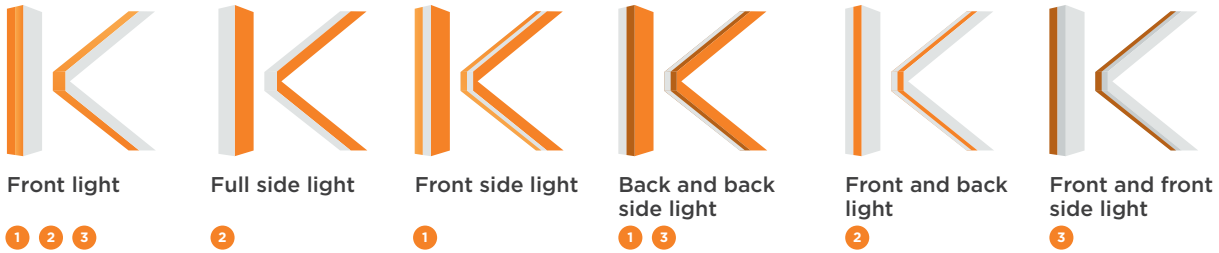
LED color specified: Yes

Dimmable: Yes

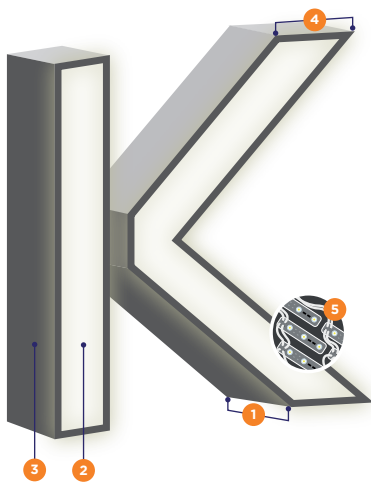
Installation of replacement letters: Yes

DIFFERENT LIGHTING EFFECTS

1 K-LIT ALUM 2 K-LIT BOX 3 K-LIT STAINLESS

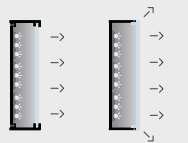


TECHNICAL DRAWING



- 1 From 2-1/4" to 4-3/4"
- 2 Illuminated face (acrylic) with vinyl or painted (RAL® or PANTONE®)
- 3 Painted returns (RAL® or PANTONE®)
- 4 3/4" stroke is the minimum required to fit an LED module
- 5 LED modules are fixed inside the sign

OPTION
WITH OR WITHOUT
TRIM CAP



OPTION
WALL-MOUNTED OR
SURFACE MOUNTED



- 1 3/64" or 1/8" mm stainless
- 2 Illuminated surface in

OPTION

STAINLESS STEEL #304

Requires little or no maintenance, but must be installed in a healthy environment. It is therefore recommended to avoid industrial zones, coastal areas, chemical-laden atmospheres, etc.

STAINLESS STEEL #316

Its molybdenum content (2%) makes it harder and more resistant to polluted, chlorinated and iodized atmospheres. Ideal for marine environments



THE KALISIGN SPIRIT

Tailor-made personalized solutions with a wide choice of:

- + Stainless steel
- + PT® and Respect® acrylics
- + RAL® and Pantone® paint
- + Vinyls from the 3M® 3630 and Avery Dennison® 4500TF



Please note: vinyl only fits on the front and back of the sign.